

BIG BANG 2

Ceiling

TYPE:

PROJECT NAME:

design by Alain Monnens



SPECIFICATION SHEET

Spot collection with an emphasis on technique and mobility. Every part has a definite function, which provides for a candid and non-intrusive design. Because of this, BANG fits in any possible environment, which makes application easy. In brushed aluminium finish, Bang creates a bold 'industrial' impression. Then again, in enamel finish, its elegant fluent lines are emphasised. BANG is available for 12V or 120V dicroid lamps.

tossB®

A **Luminart** BRAND

WWW.TOSSBLIGHTING.COM
Last updated: 2/20/20

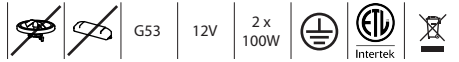
BIG BANG 2

Ceiling

TYPE:

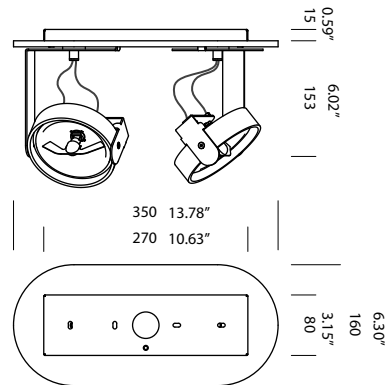
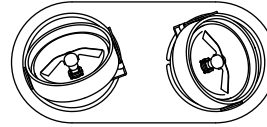
PROJECT NAME:

big bang 2 AR111 base H15 mm

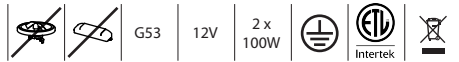


brushed aluminium
grey painted
white painted
black painted

T39C2HAB
T39C2HGL
T39C2HWL
T39C2HZL

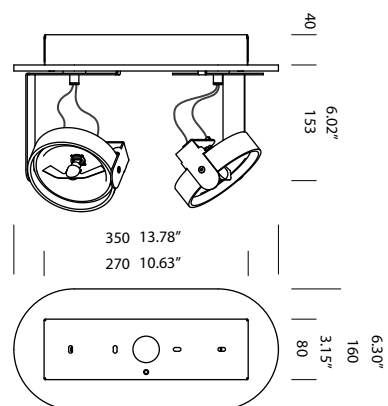
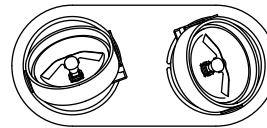


big bang 2 AR111 base H40 mm



brushed aluminium
grey painted
white painted
black painted

T39C3HAB
T39C3HGL
T39C3HWL
T39C3HZL



SPECIFICATION SHEET

tossB[®]

A **Luminart** BRAND

WWW.TOSSBLIGHTING.COM

Last updated: 2/20/20