

# SPIN

SUSPENSION

TYPE:

PROJECT NAME:

design by Beat Karrer



SPIN is an adjustable pendant luminaire interpreting the classic sphere – with a special feature. Thanks to the excentric mounting point the light direction can be adapted most easily. With SPIN changing the lighting mood is just one turn away. Even being familiar in appearance the inner life is equipped with up to date LED technology. A simple yet smart mounting unit simplifies changing the reflector which is available with different angles of radiation. Spin comes with a powder-coated surface in standard or customized colors.

SPECIFICATION SHEET

**tossB**<sup>®</sup>

A **Luminart** BRAND

WWW.TOSSBLIGHTING.COM

Last updated: 07/29/21

# SPIN

## SUSPENSION

TYPE:

PROJECT NAME:

spin hanging (1300 Lumens)

LED	2700K	350mA	19W		
-----	-------	-------	-----	--	--

grey painted  
white painted  
black painted

T80H1DGL  
T80H1DWL  
T80H1DZL

spin hanging surface + driver (DIM) (1300 Lumens)

LED		120V	19W		
-----	--	------	-----	--	--

grey painted  
white painted  
black painted

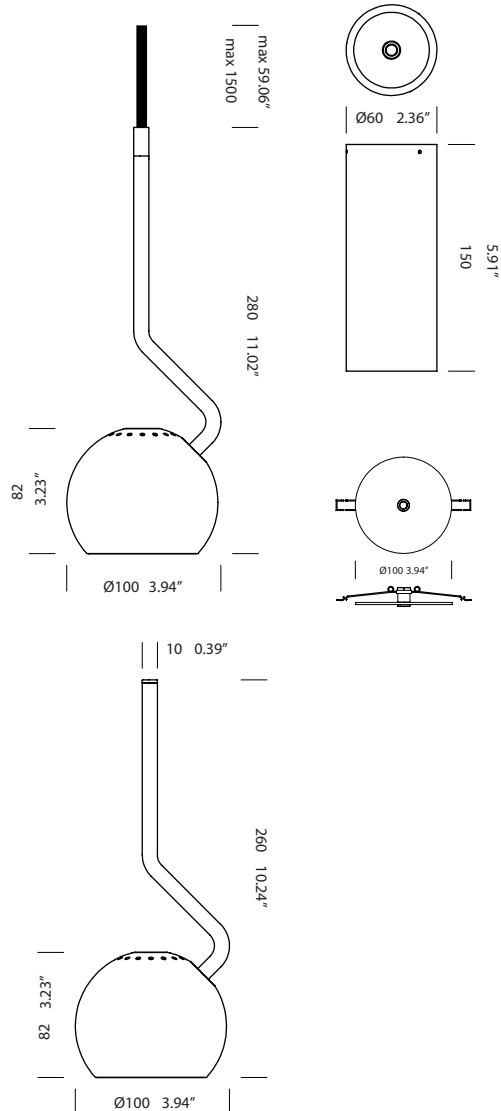
T80P1DGL(D)  
T80P1DWL(D)  
T80P1DZL(D)

spin hanging recessed + driver (DIM) (1300 Lumens)

LED		120V	19W		
-----	--	------	-----	--	--

grey painted  
white painted  
black painted

T80P2DGL(D)  
T80P2DWL(D)  
T80P2DZL(D)



SPECIFICATION SHEET

### ORDERING INFO

Model (Order Code)

Voltage

Dimming

Please note:

277V is only compatible with 0-10V dimming

120V

LTE (Leading/Trailing Edge Dim)

277V

010V (0-10V)



Installation note: Comes with a 4" backplate that mounts to a standard junction box

**tossB**<sup>®</sup>

WWW.TOSSBLIGHTING.COM

A **Luminart** BRAND

Last updated: 07/29/21