

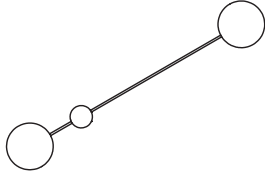
ROUND CONTROL 2,4,6

TYPE:

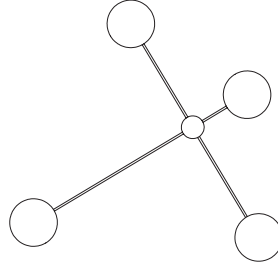
INSTALLATION SHEET

PROJECT NAME:

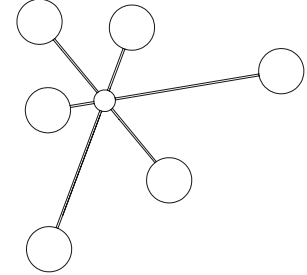
round control 2



round control 4



round control 6



round control arm 1

LED	2700K	350mA	13W			
-----	-------	-------	-----	--	--	--

black painted
white painted

T100P1DZL
T100P1DWL

round control arm 2

LED	2700K	350mA	13W			
-----	-------	-------	-----	--	--	--

black painted
white painted

T100P2DZL
T100P2DWL

round control 2 base

	120V			
--	------	--	--	--

black painted
white painted

T100H1DZL
T100H1DWL

round control arm 3

LED	2700K	350mA	13W			
-----	-------	-------	-----	--	--	--

black painted
white painted

T100P3DZL
T100P3DWL

round control 4 base

	120V			
--	------	--	--	--

black painted
white painted

T100H2DZL
T100H2DWL

round control arm 4

LED	2700K	350mA	13W			
-----	-------	-------	-----	--	--	--

black painted
white painted

T100P4DZL
T100P4DWL

round control 6 base

	120V			
--	------	--	--	--

black painted
white painted

T100H3DZL
T100H3DWL

round control arm 5

LED	2700K	350mA	13W			
-----	-------	-------	-----	--	--	--

black painted
white painted

T100P5DZL
T100P5DWL

SPECIFICATION SHEET

tossB®

WWW.TOSSBLIGHTING.COM

A **Luminart** BRAND

Last updated: 2/20/20

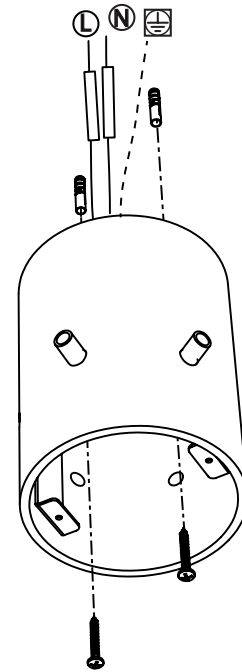
ROUND CONTROL 2,4,6

INSTALLATION SHEET

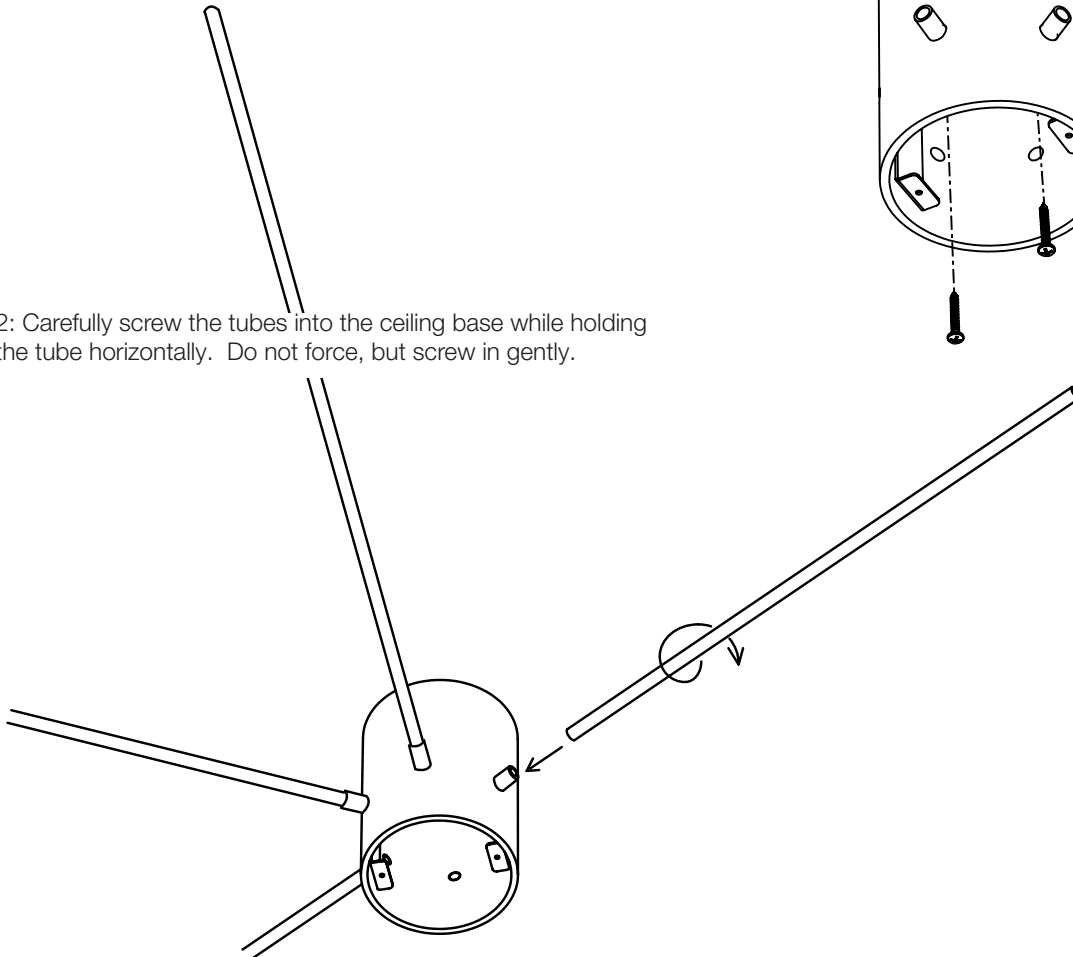
TYPE:

PROJECT NAME:

1 : attach the ceiling base.



2: Carefully screw the tubes into the ceiling base while holding the tube horizontally. Do not force, but screw in gently.



NOTE: if the tubes need to be directed in a certain way they can also be attached before installing the base.

General installation and maintenance directives concerning factory guarantee. Connecting and testing the lamps must always happen by an acknowledged electrician according to the locally applying regulations on electric installations. Do not place on a flammable surface. All class I lamps must be earthed in the cable clamp marked with a ⊕-sign. Class II lamps may not be earthed. Disconnect from the main supply when fitting lamp or changing bulb.

This lamp satisfies to the low tension directive 73/23/EEG with modification 93/68/EEG and the EMC directive 89/336/EEG with modifications 92/31/EEG and 93/68/EEG.

SPECIFICATION SHEET

tossB®

A **Luminart** BRAND

WWW.TOSSBLIGHTING.COM

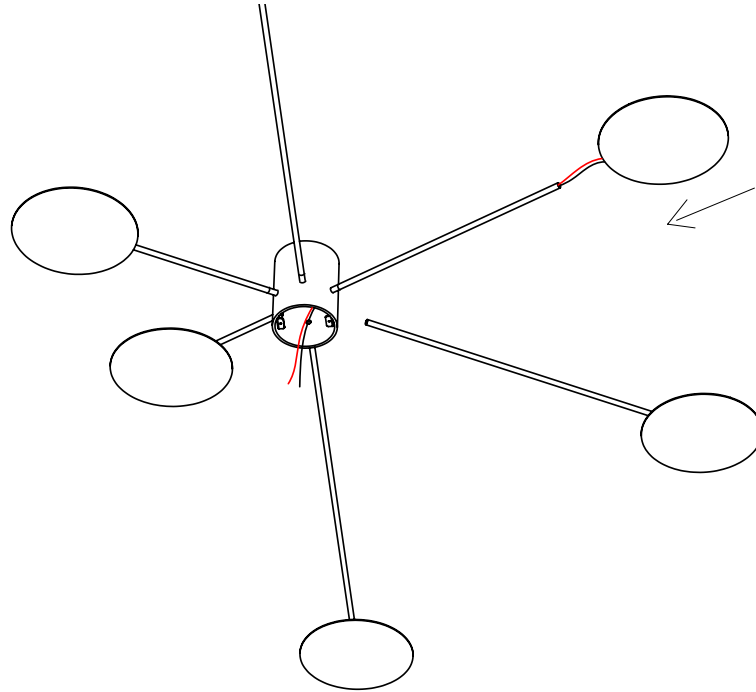
Last updated: 2/20/20

ROUND CONTROL 2,4,6

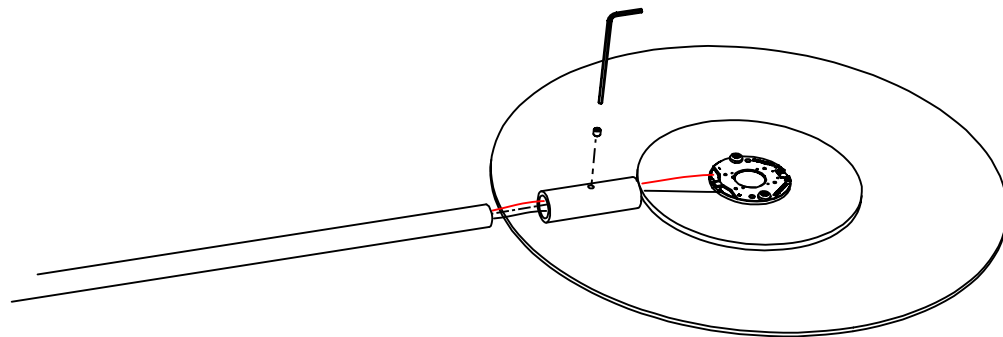
INSTALLATION SHEET

TYPE:

PROJECT NAME:



3: Fit the wires through the tubes and into the ceiling base.



4: attach the disc to the tube and fix with the hex screw.

SPECIFICATION SHEET

General installation and maintenance directives concerning factory guarantee. Connecting and testing the lamps must always happen by an acknowledged electrician according to the locally applying regulations on electric installations. Do not place on a flammable surface. All class I lamps must be earthed in the cable clamp marked with a Ⓢ-sign. Class II lamps may not be earthed. Disconnect from the main supply when fitting lamp or changing bulb. This lamp satisfies to the low tension directive 73/23/EEG with modification 93/68/EEG and the EMC directive 89/336/EEG with modifications 92/31/EEG and 93/68/EEG.

tossB®

A **Luminart** BRAND

WWW.TOSSBLIGHTING.COM

Last updated: 2/20/20

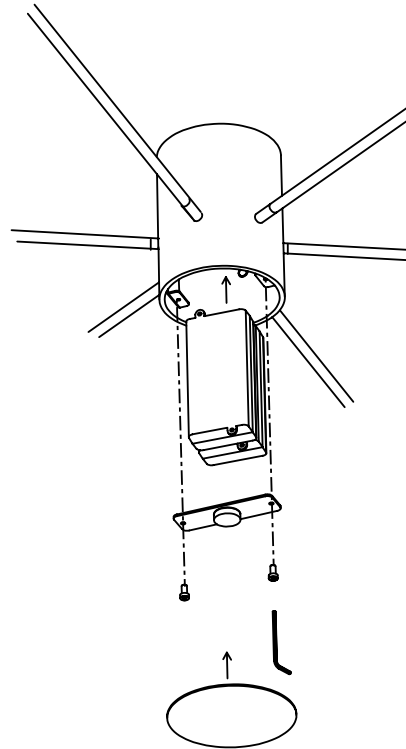
ROUND CONTROL 2,4,6

INSTALLATION SHEET

TYPE:

PROJECT NAME:

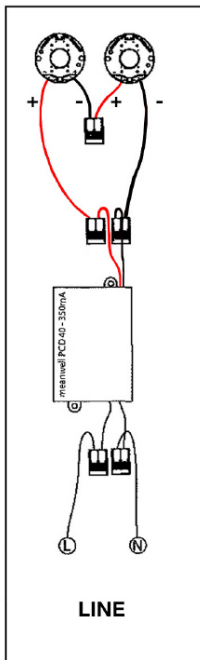
- 5: make the electrical connection. (see electrical scheme below)
- 6: fit the drivers inside the box and fix the bracket with the magnet.
- 7: place the cover plate.



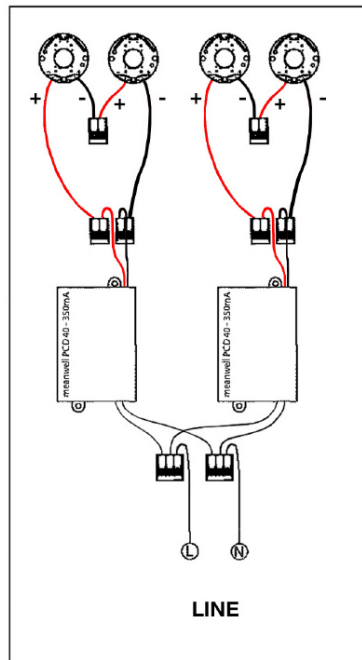
ELECTRICAL CONNECTION: SERIAL

MUST BE WIRED IN SERIES
TWO LIGHTS PER DRIVER

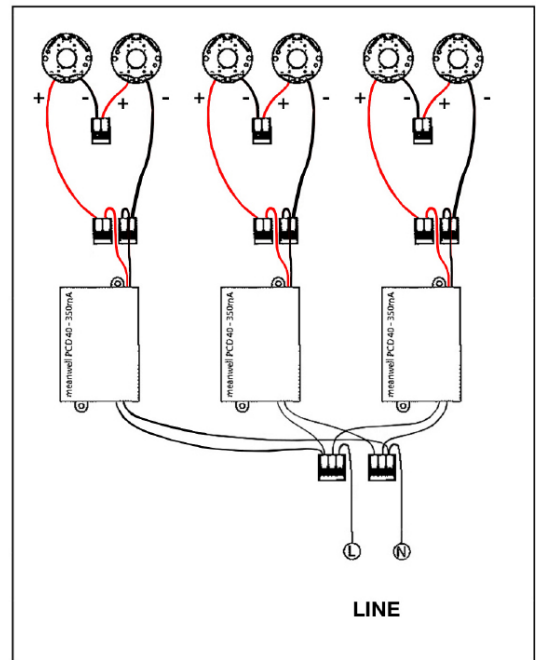
ROUND CONTROL 2



ROUND CONTROL 4



ROUND CONTROL 6



SPECIFICATION SHEET

tossB[®]

A **Luminart** BRAND

WWW.TOSSBLIGHTING.COM

Last updated: 2/20/20