

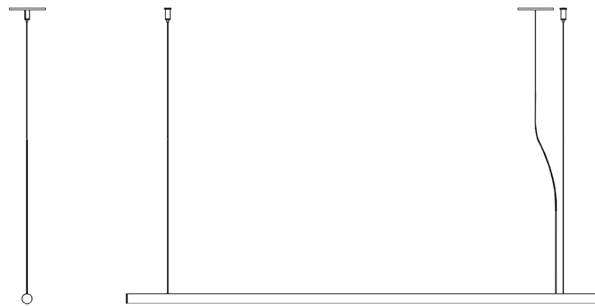
# BOOMER LINE

## INSTALLATION SHEET

TYPE:

PROJECT NAME:

### boomer line 1200/1800/2400



#### boomer line DOWN LIGHT

##### boomer line DOWN 1200 dim 2700K



white painted  
black painted

**T86H7DWLD**  
**T86H7DZLD**

##### boomer line DOWN 1200 dim 3000K



white painted  
black painted

**T86H8DWLD**  
**T86H8DZLD**

##### boomer line DOWN 1800 dim 2700K



white painted  
black painted

**T86H9DWLD**  
**T86H9DZLD**

##### boomer line DOWN 1800 dim 3000K



white painted  
black painted

**T86H10DWLD**  
**T86H10DZLD**

##### boomer line DOWN 2400 dim 2700K



white painted  
black painted

**T86H11DWLD**  
**T86H11DZLD**

##### boomer line DOWN 2400 dim 3000K



white painted  
black painted

**T86H12DWLD**  
**T86H12DZLD**

#### boomer line UP LIGHT

##### boomer line UP 1200 dim 2700K



white painted  
black painted

**T86H16DWLD**  
**T86H16DZLD**

##### boomer line UP 1200 dim 3000K



white painted  
black painted

**T86H17DWLD**  
**T86H17DZLD**

##### boomer line UP 1800 dim 2700K



white painted  
black painted

**T86H18DWLD**  
**T86H18DZLD**

##### boomer line UP 1800 dim 3000K



white painted  
black painted

**T86H19DWLD**  
**T86H19DZLD**

##### boomer line UP 2400 dim 2700K



white painted  
black painted

**T86H20DWLD**  
**T86H20DZLD**

##### boomer line UP 2400 dim 3000K



white painted  
black painted

**T86H21DWLD**  
**T86H21DZLD**



INSTALLATION SHEET

# BOOMER LINE

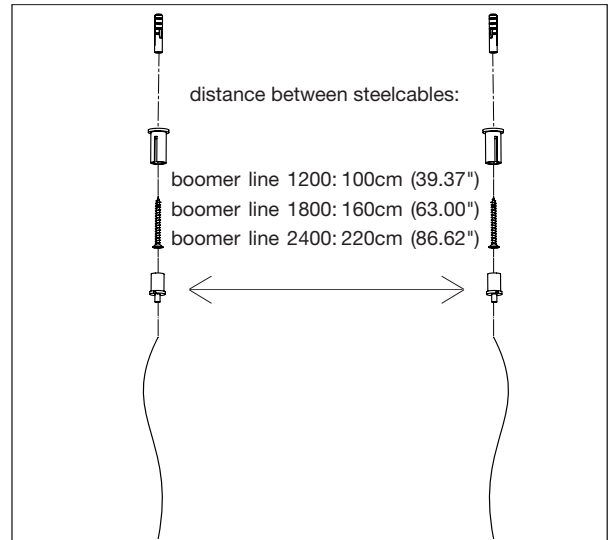
## INSTALLATION SHEET

TYPE:

PROJECT NAME:

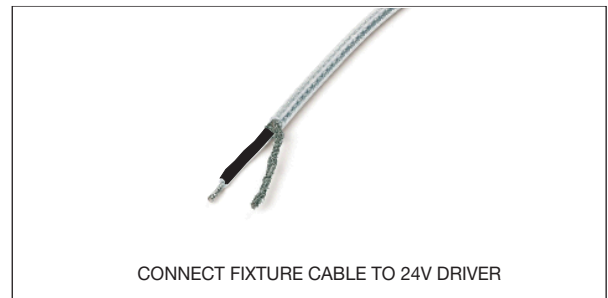
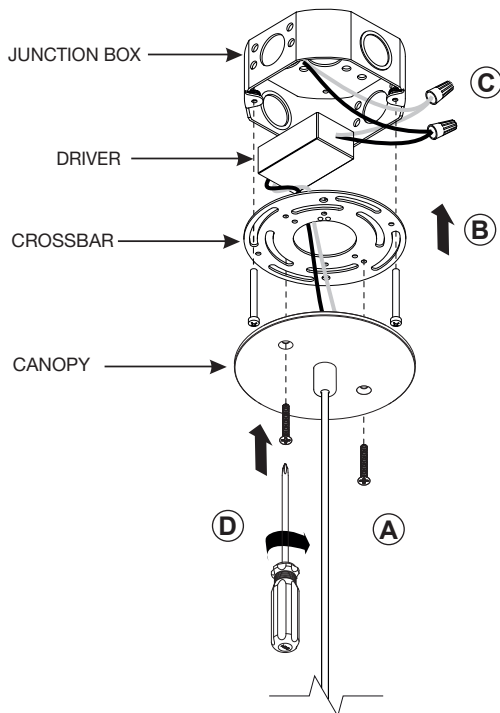
### SUSPENDING THE BOOMER LINE

SUSPEND THE BOOMER LINE WITH THE TWO STEELCABLES. ADJUST AS REQUIRED.



### WIRING AND CANOPY INSTALLATION

- A- ADJUST THE POWER CABLE LENGTH AND TIGHTEN THE POWER GRIP, TO LOCK POSITION. CUT THE CABLE SURPLUS.
- B- RAISE THE CROSSBAR AGAINST THE CEILING AND FASTEN TO THE JUNCTION BOX USING (2) MOUNTING SCREWS.
- C- MAKE ALL NECESSARY CONNECTIONS (**FOLLOWING WIRING DIAGRAM AND POLARITY MARKING**). MAKE THE CONNECTION FIRST AND INSTALL THE CROSSBAR AFTER.
- D- PLACE THE CANOPY OVER THE CROSSBAR AND SECURE ASSEMBLY IN PLACE WITH (2) SCREWS.



General installation and maintenance directives concerning factory guarantee. Connecting and testing the lamps must always happen by an acknowledged electrician according to the locally applying regulations on electric installations. Do not place on a flammable surface.