

SPIN

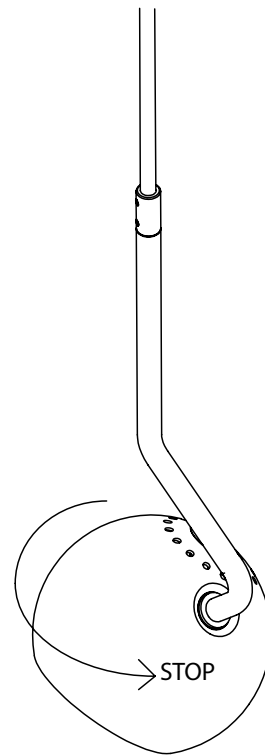
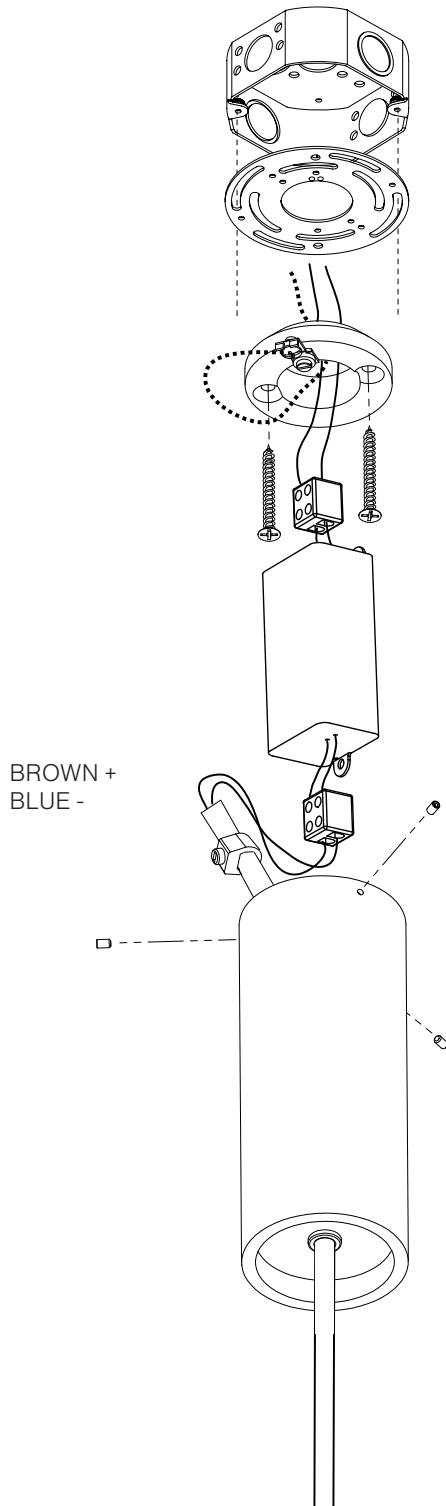
INSTALLATION INSTRUCTIONS

TYPE:

PROJECT NAME:

Connecting and testing the lamps must always be done by an acknowledged electrician according to the locally applying regulations on electric installations. Do not place on a flammable surface. Disconnect from the main supply when fitting lamp or changing bulb.

Fixture mounts to a standard junction box (not supplied).



IMPORTANT: a rotation lock is provided.
Do not force to continue rotating.