

# GRID

SUSPENSION

TYPE:

PROJECT NAME:



SPECIFICATION SHEET

# GRID SUSPENSION

DESIGNED BY GLENN MARYS

**tossB**<sup>®</sup>

A **Luminart** BRAND

WWW.TOSSBLIGHTING.COM

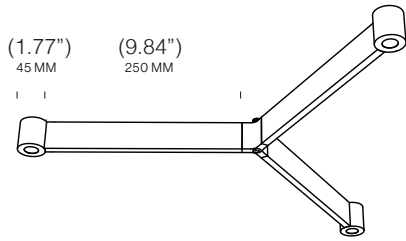
# GRID

## SUSPENSION

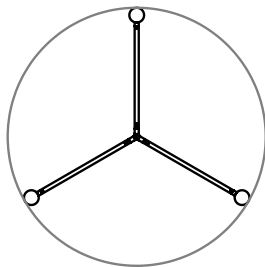
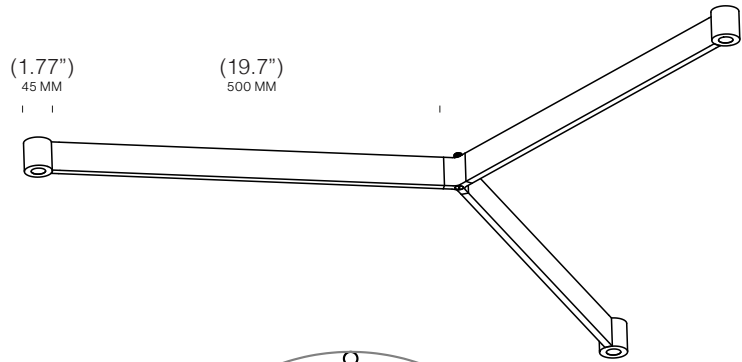
TYPE:

PROJECT NAME:

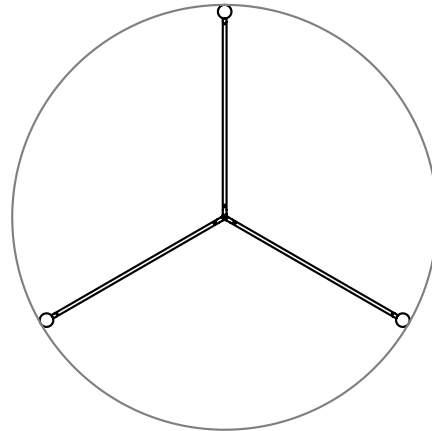
GRID ARMS S



GRID ARMS M

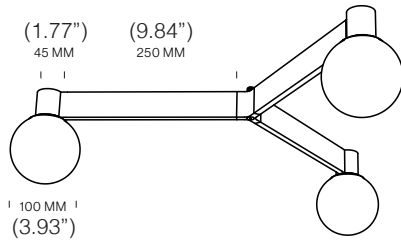


DIAMETER: 630 MM (24.8")

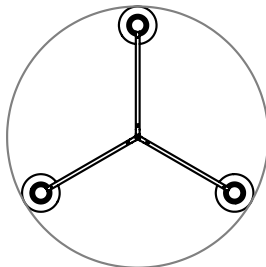
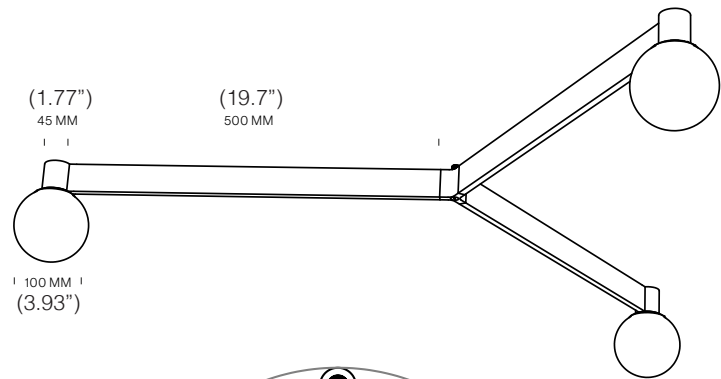


DIAMETER: 1130MM (44.5")

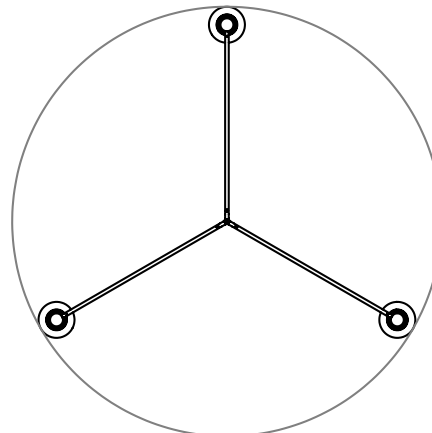
GRID GLOBE ARMS S



GRID GLOBE ARMS M



DIAMETER: 690 MM (27.16")



DIAMETER: 1190MM (46.85")

SPECIFICATION SHEET

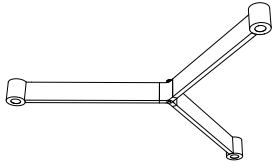
# GRID

## SUSPENSION

TYPE:

PROJECT NAME:

### GRID ARMS S

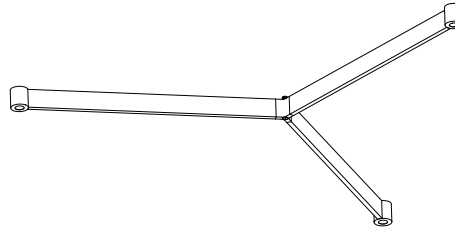


LAMP TYPE	LED
COLOUR TEMP.	2700K
WATTAGE	3x4W
AMPERAGE	350mA
LUMEN	3x400

#### ORDER CODE

BLACK ANODIZED	L30T108HP1DZL
WHITE PAINTED	L30T108HP1DWL

### GRID ARMS M

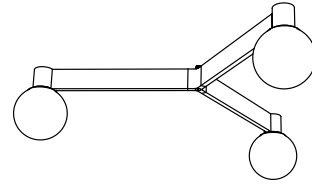


LAMP TYPE	LED
COLOUR TEMP.	2700K
WATTAGE	3x4W
AMPERAGE	350mA
LUMEN	3x400

#### ORDER CODE

BLACK ANODIZED	L30T108HP2DZL
WHITE PAINTED	L30T108HP2DWL

### GRID GLOBE ARMS S

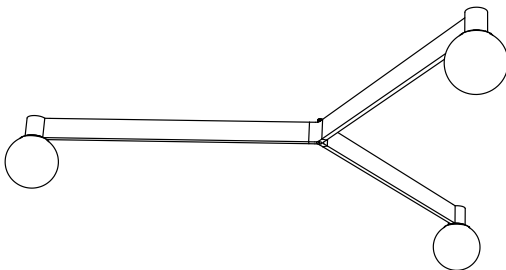


LAMP TYPE	LED
COLOUR TEMP.	2700K
WATTAGE	3x4W
AMPERAGE	350mA
LUMEN	3x400

#### ORDER CODE

BLACK ANODIZED	L30T108SHP1DZL
WHITE PAINTED	L30T108SHP1DWL

### GRID GLOBE ARMS M



LAMP TYPE	LED
COLOUR TEMP.	2700K
WATTAGE	3x4W
AMPERAGE	350mA
LUMEN	3x400

#### ORDER CODE

BLACK ANODIZED	L30T108SHP2DZL
WHITE PAINTED	L30T108SHP2DWL

### ROD 20CM (7.87") FOR HEIGHT



ORDER MULTIPLE RODS TO DEFINE YOUR HEIGHT

#### ORDER CODE

BLACK ANODIZED	L30T108HRP1DZL
WHITE PAINTED	L30T108HRP1DWL

SPECIFICATION SHEET

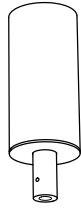
# GRID

## SUSPENSION

TYPE:

PROJECT NAME:

### GRID BASE SINGLE



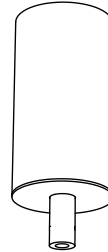
This base powers a single arms component

WATTAGE	3x4W
CLASS	1

#### ORDER CODE

BLACK ANODIZED	L30T108H1DZL
WHITE PAINTED	L30T108H1DWL

### GRID BASE DOUBLE

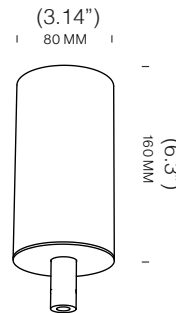
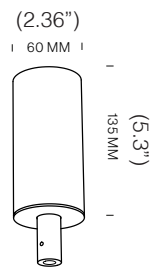


This base powers two arms components

WATTAGE	6x4W
CLASS	1

#### ORDER CODE

BLACK ANODIZED	L30T108H2DZL
WHITE PAINTED	L30T108H2DWL



# GRID

SUSPENSION

TYPE:

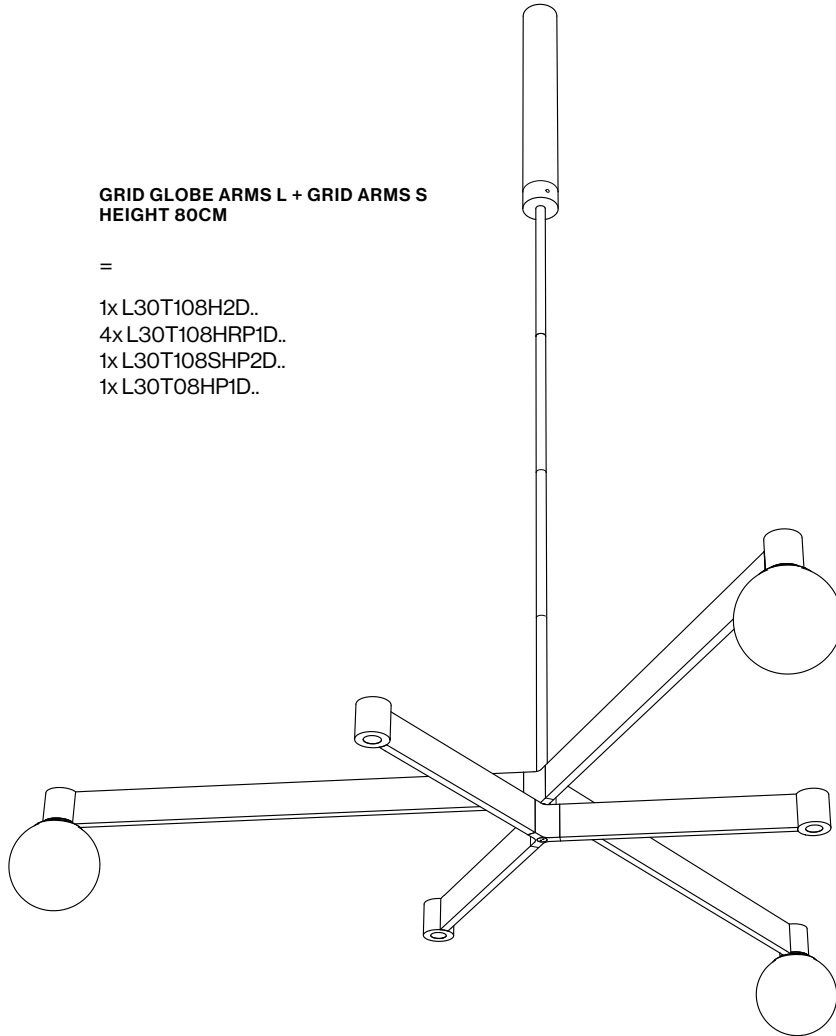
PROJECT NAME:

EXAMPLE - HOW TO ORDER

GRID GLOBE ARMS L + GRID ARMS S  
HEIGHT 80CM

=

1x L30T108H2D..  
4x L30T108HRP1D..  
1x L30T108SHP2D..  
1x L30T08HP1D..



## ORDERING INFO

Order Code	Quantity	Driver Options
-	-	<input type="radio"/> 120V Phase Dimming
-	-	<input type="radio"/> 120V 0-10V Dimming
-	-	<input type="radio"/> 277V 0-10V Dimming
-	-	
-	-	
-	-	
-	-	
-	-	

SPECIFICATION SHEET

