

# BOUNCE

SUSPENSION

TYPE:

PROJECT NAME:



SPECIFICATION SHEET

# BOUNCE

DESIGNED BY GLENN MARYS

**tossB**<sup>®</sup>

A **Luminart** BRAND

[WWW.TOSSBLIGHTING.COM](http://WWW.TOSSBLIGHTING.COM)

# BOUNCE

SUSPENSION

TYPE:

PROJECT NAME:

## DIMENSIONS

Bounce is available in three sizes of rings with an additional choice of three sizes of LED spheres.

**Ring 475:** Diameter of 475mm (18.7")

**Ring 675:** Diameter of 675mm (26.6")

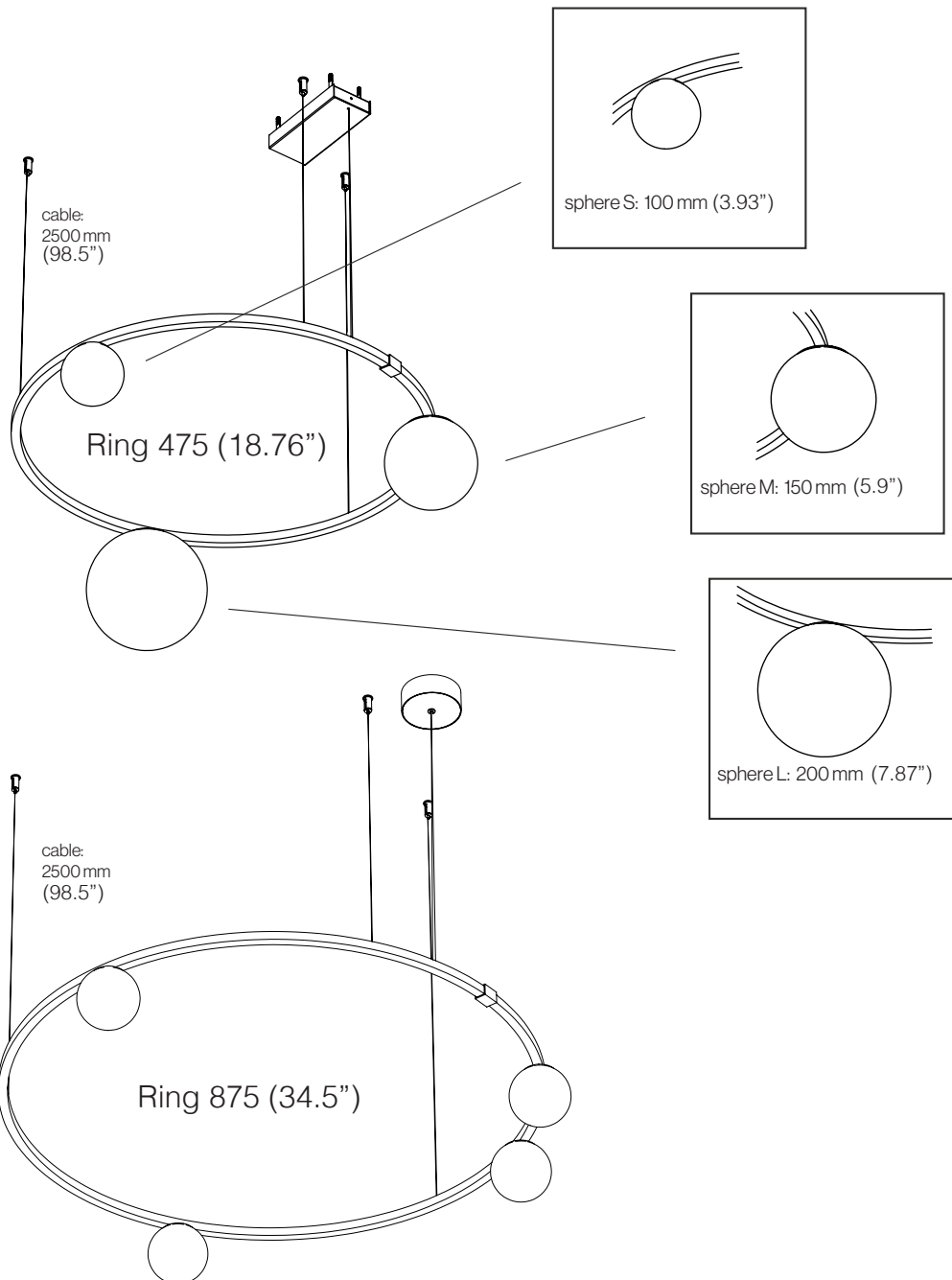
**Ring 875:** Diameter of 875mm (34.5")

The height (thickness) of the rings is 12mm (0.47")

**Sphere S:** Diameter of 100mm (3.93")

**Sphere M:** Diameter of 150mm (5.9")

**Sphere L:** Diameter of 200mm (7.87")



SPECIFICATION SHEET

tossB®

A Luminart BRAND

WWW.TOSSBLIGHTING.COM

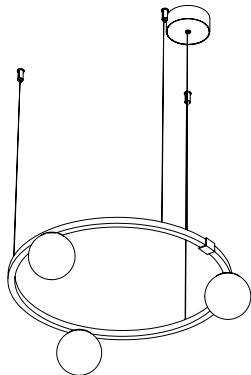
# BOUNCE

SUSPENSION

TYPE:

PROJECT NAME:

## BOUNCE 475 -3S-

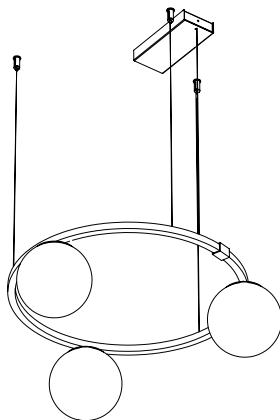


LAMP TYPE	LED
COLOUR TEMP.	2700K
WATTAGE	3x2W
VOLTAGE	17V - 350mA

### ORDER CODE

BLACK	L30T111H1DZL
BRONZE	L30T111H1DOE
BRUSHED BRASS	L30T111H1DLB
WHITE	L30T111H1DWL

## BOUNCE 475 -3M-

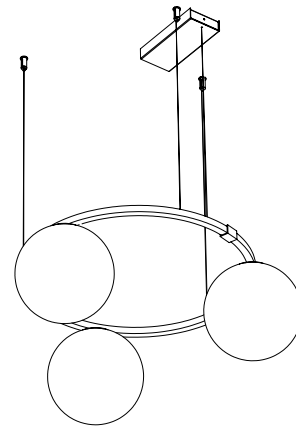


LAMP TYPE	LED
COLOUR TEMP.	2700K
WATTAGE	3x4W
VOLTAGE	34V - 350mA

### ORDER CODE

BLACK	L30T111H2DZL
BRONZE	L30T111H2DOE
BRUSHED BRASS	L30T111H2DLB
WHITE	L30T111H2DWL

## BOUNCE 475 -3L-



LAMP TYPE	LED
COLOUR TEMP.	2700K
WATTAGE	3x10W
VOLTAGE	84V - 350mA

### ORDER CODE

BLACK	L30T111H3DZL
BRONZE	L30T111H3DOE
BRUSHED BRASS	L30T111H3DLB
WHITE	L30T111H3DWL

SPECIFICATION SHEET

### ORDERING INFO

Model (Order Code)	LED	Driver Options
	<input type="radio"/> 2700K	<input type="radio"/> 120V Phase Dimming
		<input type="radio"/> 120V 0-10V Dimming
		<input type="radio"/> 277V 0-10V Dimming



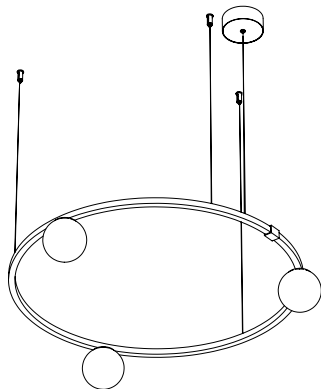
# BOUNCE

SUSPENSION

TYPE:

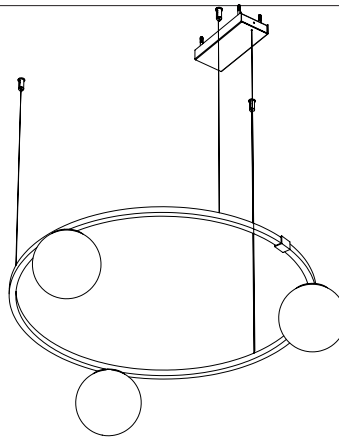
PROJECT NAME:

## BOUNCE 675 -3S-



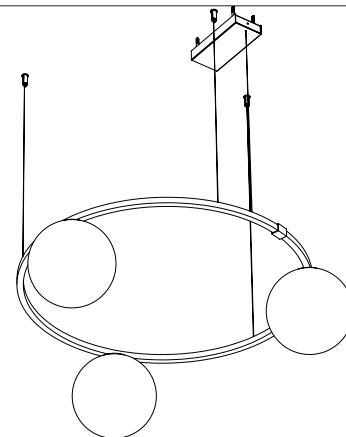
LAMP TYPE	LED
COLOUR TEMP.	2700K
WATTAGE	3x2W
VOLTAGE	17V - 350mA

## BOUNCE 675 -3M-



LAMP TYPE	LED
COLOUR TEMP.	2700K
WATTAGE	3x4W
VOLTAGE	34V - 350mA

## BOUNCE 675 -3L-



LAMP TYPE	LED
COLOUR TEMP.	2700K
WATTAGE	3x10W
VOLTAGE	84V - 350mA

### ORDER CODE

BLACK	L30T111H5DZL
BRONZE	L30T111H5DOE
BRUSHED BRASS	L30T111H5DLB
WHITE	L30T111H5DWL

### ORDER CODE

BLACK	L30T111H6DZL
BRONZE	L30T111H6DOE
BRUSHED BRASS	L30T111H6DLB
WHITE	L30T111H6DWL

### ORDER CODE

BLACK	L30T111H7DZLD
BRONZE	L30T111H7DOED
BRUSHED BRASS	L30T111H7DLBD
WHITE	L30T111H7DWLD

SPECIFICATION SHEET

### ORDERING INFO

Model (Order Code)	LED	Driver Options
	<input type="radio"/> 2700K	<input type="radio"/> 120V Phase Dimming
		<input type="radio"/> 120V 0-10V Dimming
		<input type="radio"/> 277V 0-10V Dimming



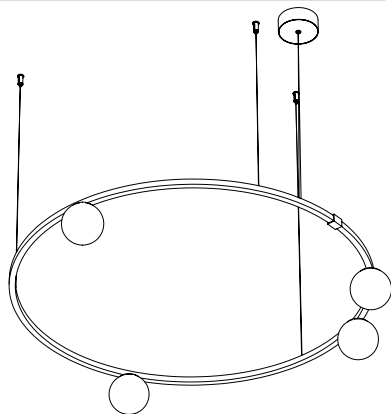
# BOUNCE

SUSPENSION

TYPE:

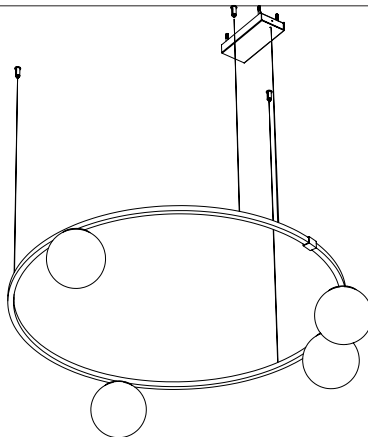
PROJECT NAME:

## BOUNCE 875 -4S-



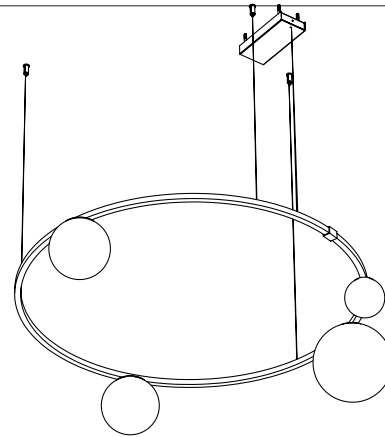
LAMP TYPE	LED
COLOUR TEMP.	2700K
WATTAGE	4x2W
VOLTAGE	24V - 350mA

## BOUNCE 875 -4M-



LAMP TYPE	LED
COLOUR TEMP.	2700K
WATTAGE	4x4W
VOLTAGE	45V - 350mA

## BOUNCE 875 -SMML-



LAMP TYPE	LED
COLOUR TEMP.	2700K
WATTAGE	2W/4W/4W/10W
VOLTAGE	56V - 350mA

### ORDER CODE

BLACK	L30T111H9DZL
BRONZE	L30T111H9DOE
BRUSHED BRASS	L30T111H9DLB
WHITE	L30T111H9DWL

### ORDER CODE

BLACK	L30T111H10DZLD
BRONZE	L30T111H10DOED
BRUSHED BRASS	L30T111H10DLBD
WHITE	L30 T111H10DWLD

### ORDER CODE

BLACK	L30T111H11DZLD
BRONZE	L30T111H11DOED
BRUSHED BRASS	L30T111H11DLBD
WHITE	L30T111H11DWLD

SPECIFICATION SHEET

### ORDERING INFO

Model (Order Code)

Driver Options

- 120V Phase Dimming
- 120V 0-10V Dimming
- 277V 0-10V Dimming



**tossB**<sup>®</sup>

A **Luminart** BRAND

WWW.TOSSBLIGHTING.COM

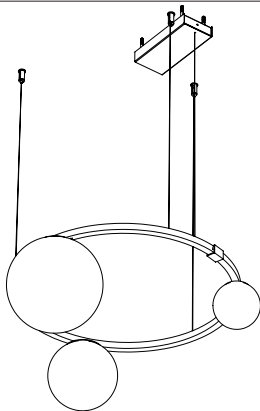
# BOUNCE

SUSPENSION

TYPE:

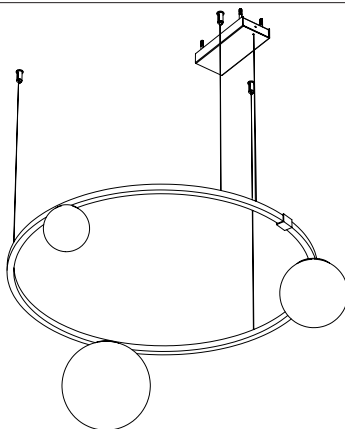
PROJECT NAME:

## BOUNCE 475 -SML-



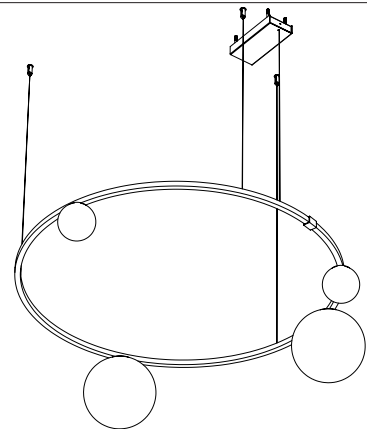
LAMP TYPE	LED
COLOUR TEMP.	2700K
WATTAGE	2W/4W/10W
VOLTAGE	46V - 350mA

## BOUNCE 675 -SML-



LAMP TYPE	LED
COLOUR TEMP.	2700K
WATTAGE	2W/4W/10W
VOLTAGE	45V - 350mA

## BOUNCE 875 -SSLL-



LAMP TYPE	LED
COLOUR TEMP.	2700K
WATTAGE	2W/2W/10W/10W
VOLTAGE	67V - 350mA

### ORDER CODE

BLACK	L30T111H4DZL
BRONZE	L30T111H4DOE
BRUSHED BRASS	L30T111H4DLB
WHITE	L30T111H4DWL

### ORDER CODE

BLACK	L30T111H8DZL
BRONZE	L30T111H8DOE
BRUSHED BRASS	L30T111H8DLB
WHITE	L30T111H8DWL

### ORDER CODE

BLACK	L30T111H12DZLD
BRONZE	L30T111H12DOED
BRUSHED BRASS	L30T111H12DLBD
WHITE	L30T111H12DWLD

SPECIFICATION SHEET

### ORDERING INFO

Model (Order Code)	Driver Options
	<input type="radio"/> 120V Phase Dimming <input type="radio"/> 120V 0-10V Dimming <input type="radio"/> 277V 0-10V Dimming

