

# BANG 3

Ceiling

**TYPE:**

**PROJECT NAME:**

---

design by Alain Monnens



SPECIFICATION SHEET

Spot collection with an emphasis on technique and mobility. Every part has a definite function, which provides for a candid and non-intrusive design. Because of this, BANG fits in any possible environment, which makes application easy. In brushed aluminium finish, Bang creates a bold 'industrial' impression. Then again, in enamel finish, its elegant fluent lines are emphasised. BANG is available for 12V dicroid lamps.

**tossB®**

A **Luminart** BRAND

WWW.TOSSBLIGHTING.COM  
Last updated: 2/20/20

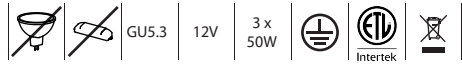
# BANG 3

Ceiling

TYPE:

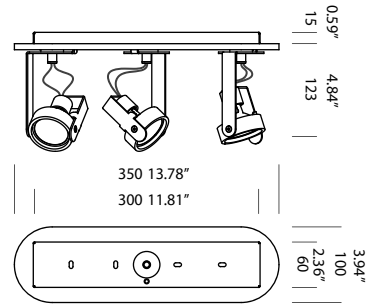
PROJECT NAME:

bang 3 12V base H15 mm

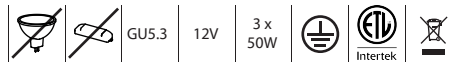


brushed aluminium  
grey painted  
white painted  
black painted

T35C2HAB  
T35C2HGL  
T35C2HWL  
T35C2HZL

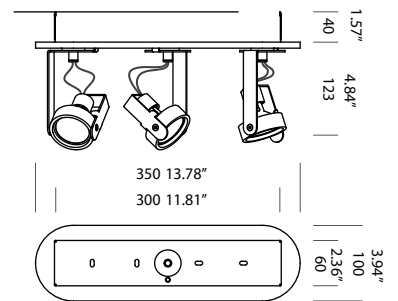


bang 3 12V base H40 mm



brushed aluminium  
grey painted  
white painted  
black painted

T35C3HAB  
T35C3HGL  
T35C3HWL  
T35C3HZL



SPECIFICATION SHEET

**tossB®**

A **Luminart** BRAND

WWW.TOSSBLIGHTING.COM

Last updated: 2/20/20