

BOW SPH

SUSPENSION

TYPE:

PROJECT NAME:



SPECIFICATION SHEET

BOW SPH

DESIGNED BY DAVID DOLCINI

tossB[®]

A **Luminart** BRAND

WWW.TOSSBLIGHTING.COM

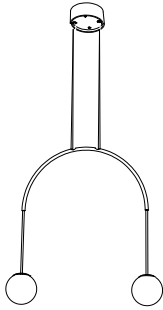
TITLE

SUSPENSION

TYPE:

PROJECT NAME:

BOW SPH I S

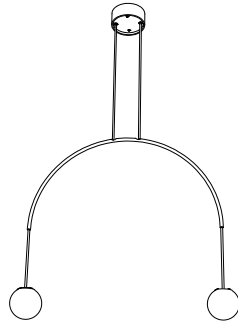


LAMP TYPE	RETROFIT LED
FITTING	G9
WATTAGE	2x5W
VOLTAGE	120V
CLASS	1

ORDER CODE

BLACK	L30T97SH1IZL
BRUSHED BRASS	L30T97SH1ILB

BOW SPH I M

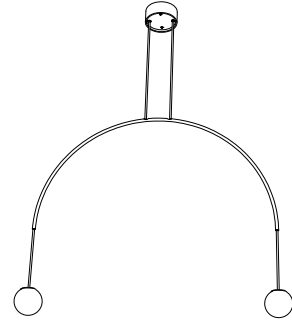


LAMP TYPE	RETROFIT LED
FITTING	G9
WATTAGE	2x5W
VOLTAGE	120V
CLASS	1

ORDER CODE

BLACK	L30T97SH2IZL
BRUSHED BRASS	L30T97SH2ILB

BOW SPH I L

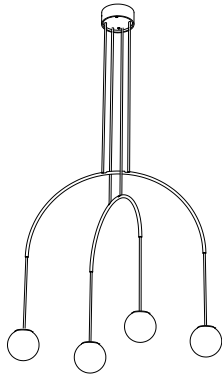


LAMP TYPE	RETROFIT LED
FITTING	G9
WATTAGE	2x5W
VOLTAGE	120V
CLASS	1

ORDER CODE

BLACK	L30T97SH3IZL
BRUSHED BRASS	L30T97SH3ILB

BOW SPH II S+M

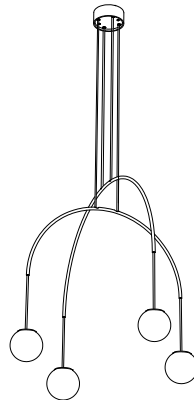


LAMP TYPE	RETROFIT LED
FITTING	G9
WATTAGE	4x5W
VOLTAGE	120V
CLASS	1

ORDER CODE

BLACK	L30T97SH4IZL
BRUSHED BRASS	L30T97SH4ILB

BOW SPH II M+L

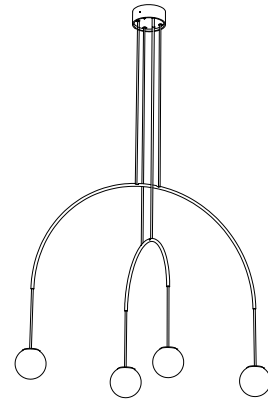


LAMP TYPE	RETROFIT LED
FITTING	G9
WATTAGE	4x5W
VOLTAGE	120V
CLASS	1

ORDER CODE

BLACK	L30T97SH5IZL
BRUSHED BRASS	L30T97SH5ILB

BOW SPH II L+S



LAMP TYPE	RETROFIT LED
FITTING	G9
WATTAGE	4x5W
VOLTAGE	120V
CLASS	1

ORDER CODE

BLACK	L30T97SH6IZL
BRUSHED BRASS	L30T97SH6ILB

SPECIFICATION SHEET

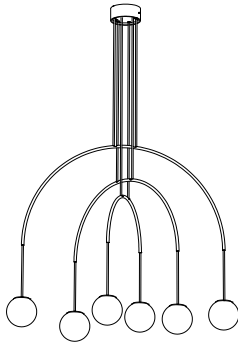
TITLE

SUSPENSION

TYPE:

PROJECT NAME:

BOW SPH III S+M+L

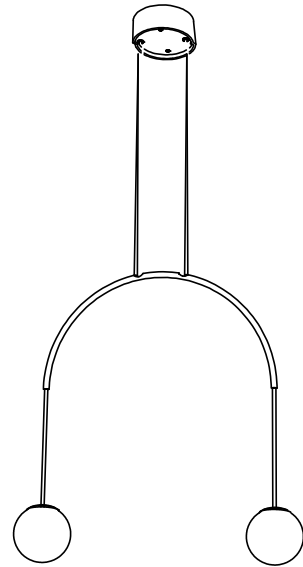


LAMP TYPE	RETROFIT LED
FITTING	G9
WATTAGE	6x5W
VOLTAGE	120V
CLASS	1

ORDER CODE

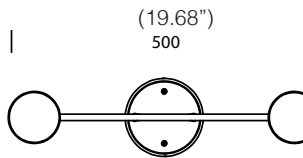
BLACK	L30T97SH7IZL
BRUSHED BRASS	L30T97SH7ILB

BOW SPH I S



(1.96" x Ø4.72")
50 (D120) | |
max. 2500
(98.42")

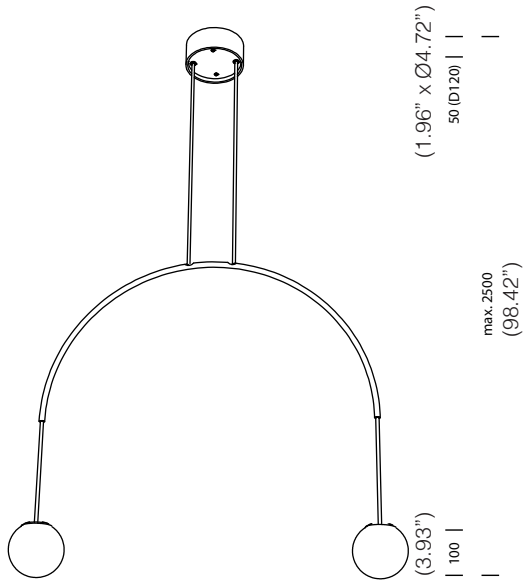
(3.93")
| 100 |



(19.68")
500

| 100 |
(3.93")

BOW SPH I M

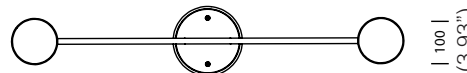


(1.96" x Ø4.72")
50 (D120) | |

max. 2500
(98.42")

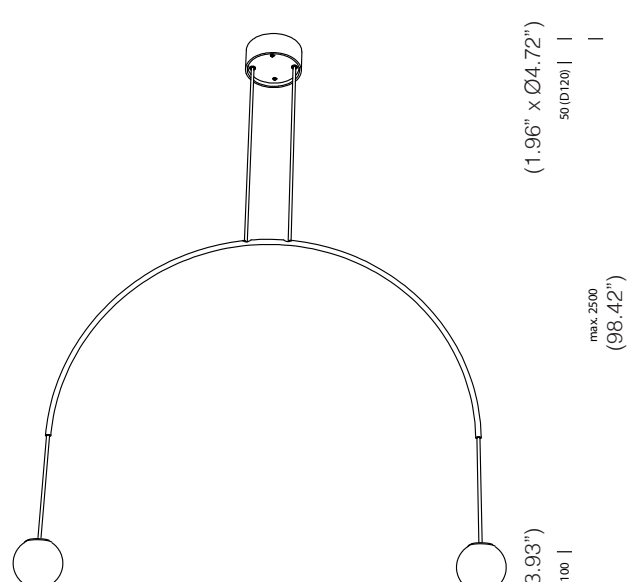
(3.93")
| 100 |

(27.55")
700



| 100 |
(3.93")

BOW SPH I L

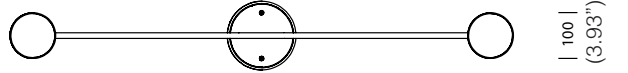


(1.96" x Ø4.72")
50 (D120) | |

max. 2500
(98.42")

(3.93")
| 100 |

(35.82")
910



| 100 |
(3.93")

SPECIFICATION SHEET