

BOUNCE LINES S

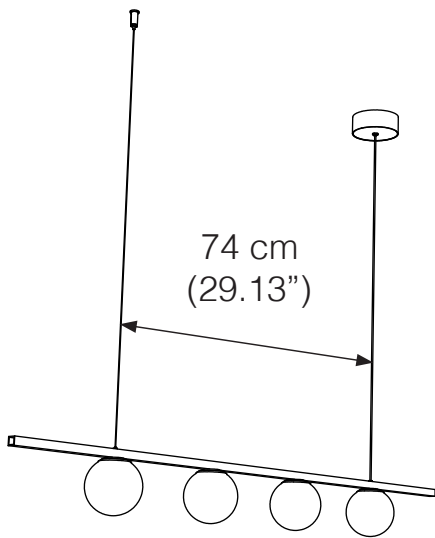
INSTALLATION INSTRUCTIONS

TYPE:

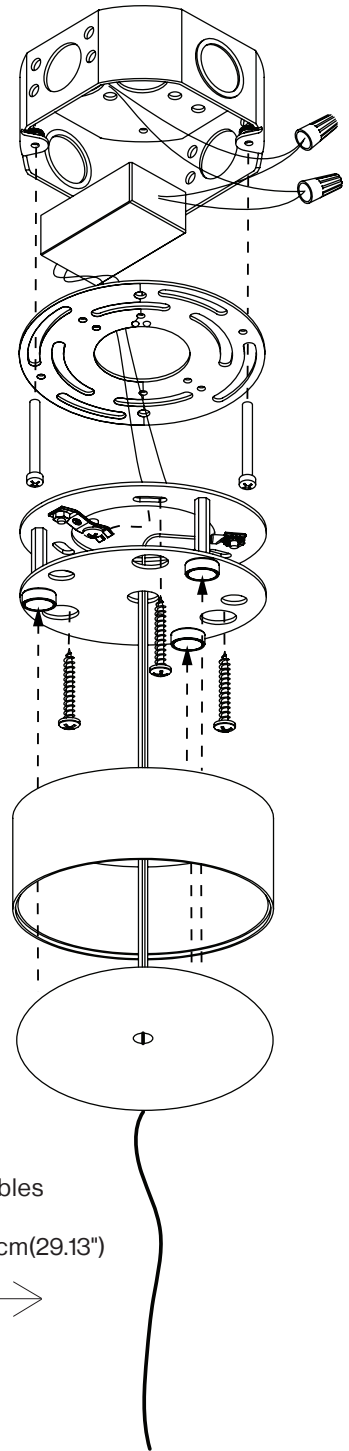
PAGE: 1 of 3

PROJECT NAME:

BOUNCE S 120



distance between cables
bounce lines 120: 74cm(29.13")



CLEANING: only use a dampened soft cloth,
no aggressive cleaning detergent or solvents with alcohol and chemicals.

SPECIFICATION SHEET

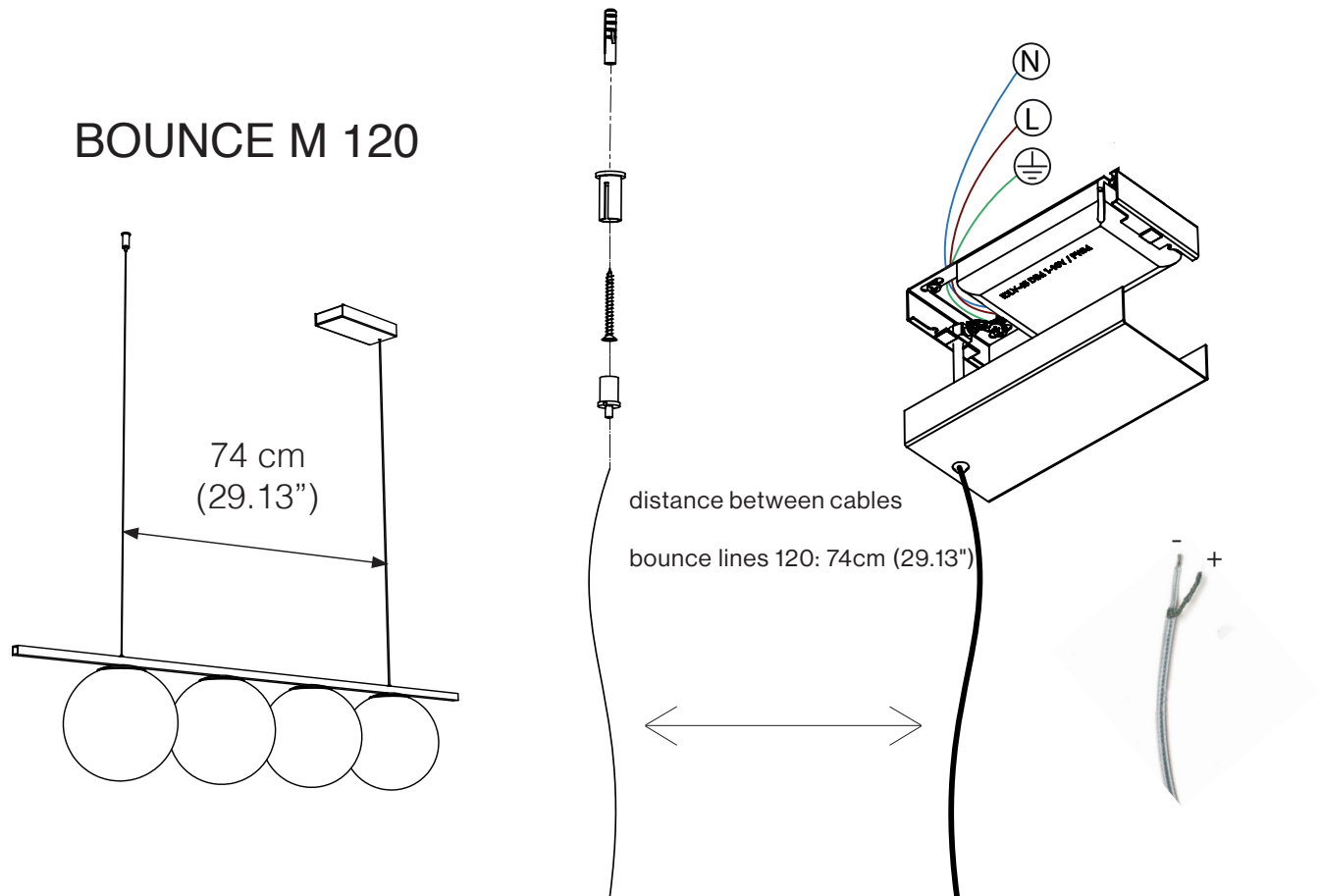
BOUNCE LINES M

INSTALLATION INSTRUCTIONS

TYPE:

PAGE: 2 of 3

PROJECT NAME:



CLEANING: only use a dampened soft cloth,
no aggressive cleaning detergent or solvents with alcohol and chemicals.

BOUNCE LINES L

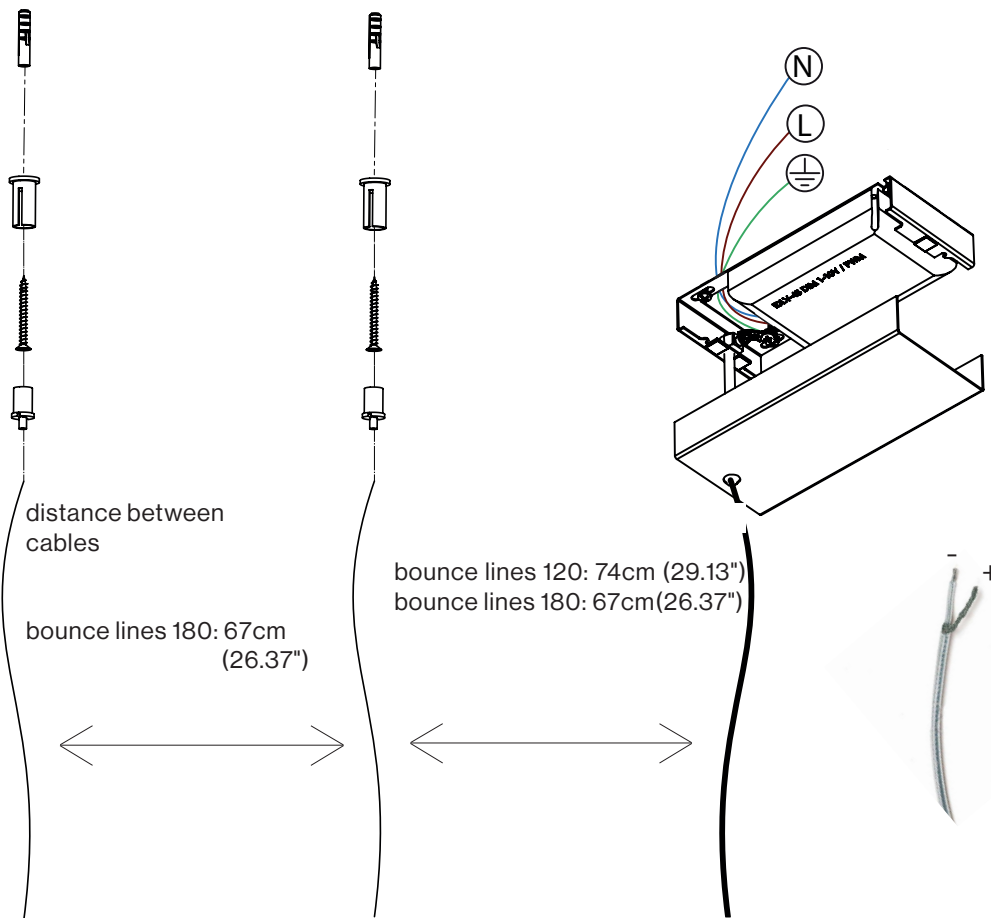
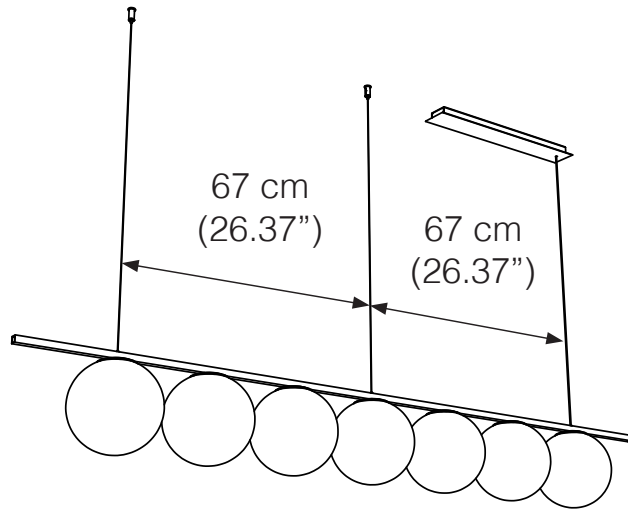
INSTALLATION INSTRUCTIONS

TYPE:

PAGE: 3 of 3

PROJECT NAME:

BOUNCE L 180



SPECIFICATION SHEET

CLEANING: only use a dampened soft cloth,
no aggressive cleaning detergent or solvents with alcohol and chemicals.